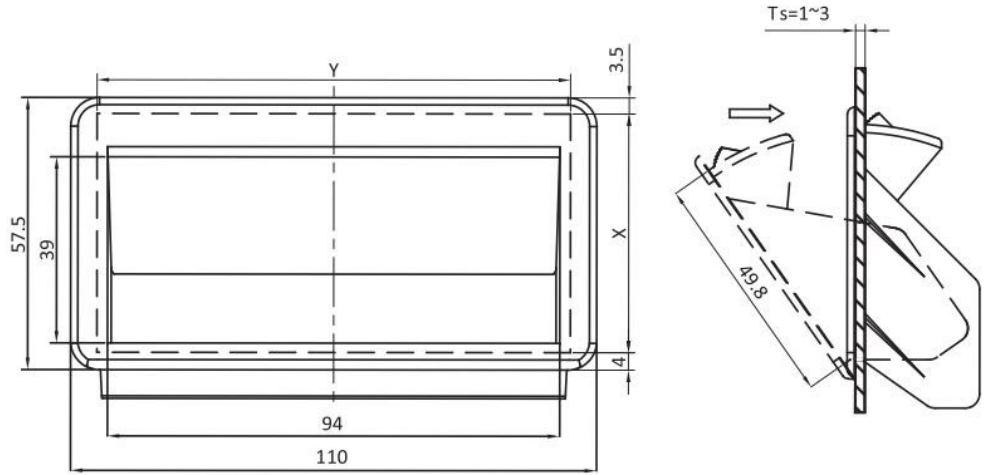


Handles
把手



大型 Large size

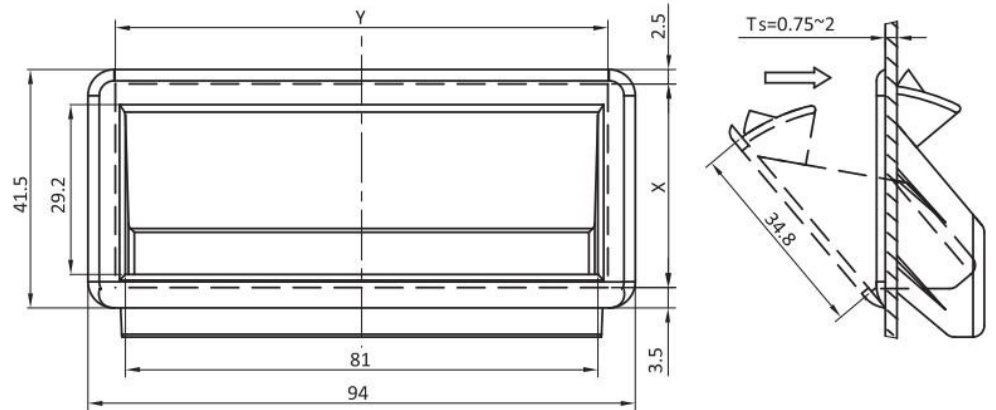


開孔尺寸 Panel cutout

門板厚度 Ts(mm)	X	Y
1.5~2	49.8 +0.2	99.5
2~3	50 +0.3	99.5



小型 Small size



開孔尺寸 Panel cutout

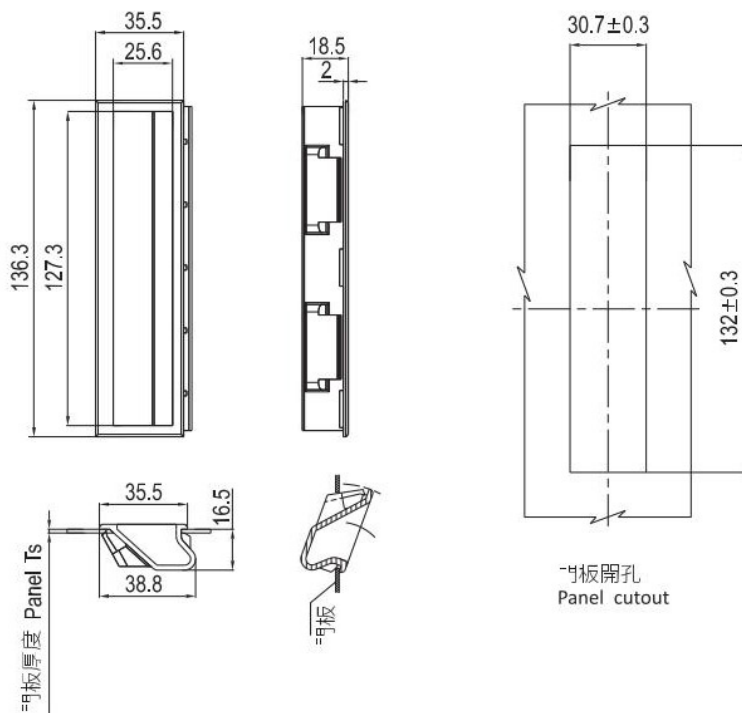
門板厚度 Ts(mm)	X	Y
0.75~1	35 +0.2	85 +0.3
1~2	36 +0.2	85 +0.3

尼龍玻纖, 黑色
PA6 GF30, Black

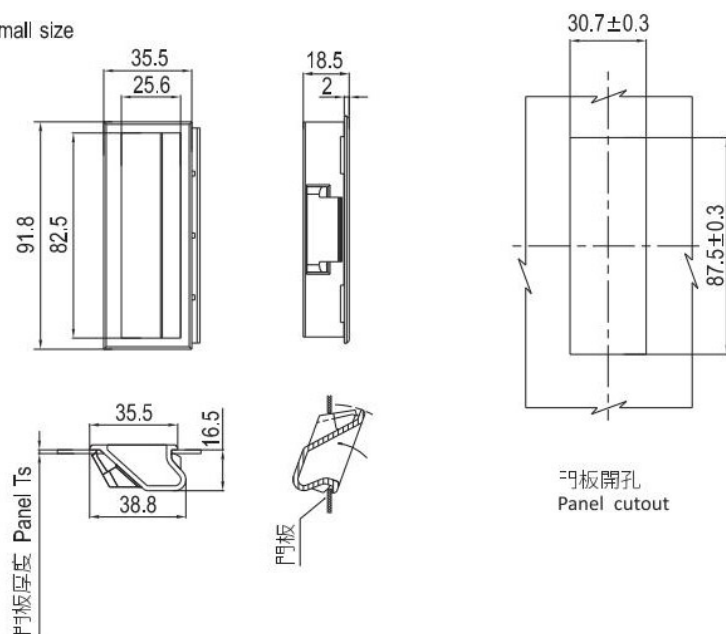
大型 Large size	HP-3301-01
小型 Small size	HP-3301-02



大型 Large size

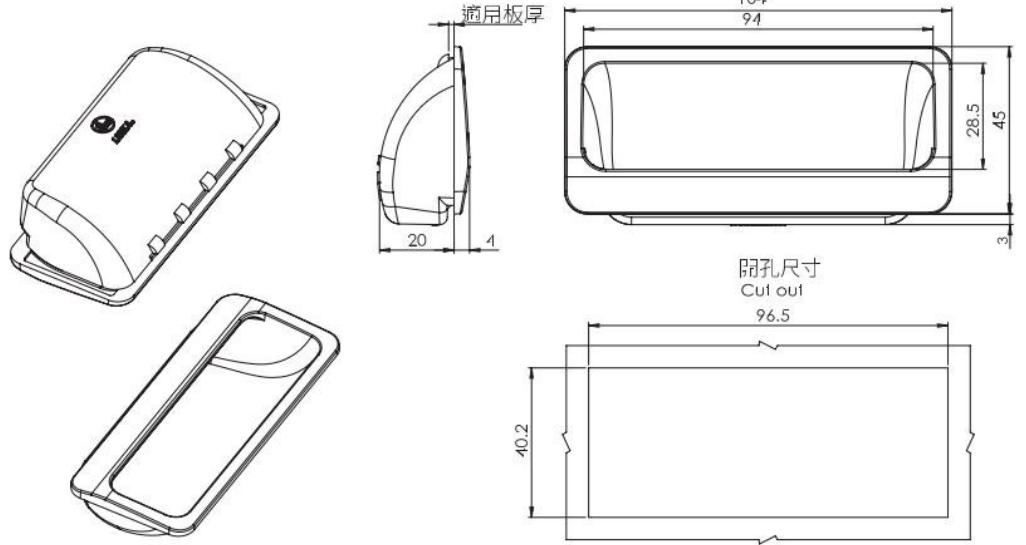


小型 Small size



黑色ABS
Black ABS

門板厚度 最小~最大 Panel Ts= Min~Max	尺寸 Size	
	大型 Large size	小型 Small size
1.0~1.4	HP-3306-11	HP-3306-21
1.4~1.8	HP-3306-12	HP-3306-22
1.8~2.1	HP-3306-13	HP-3306-23

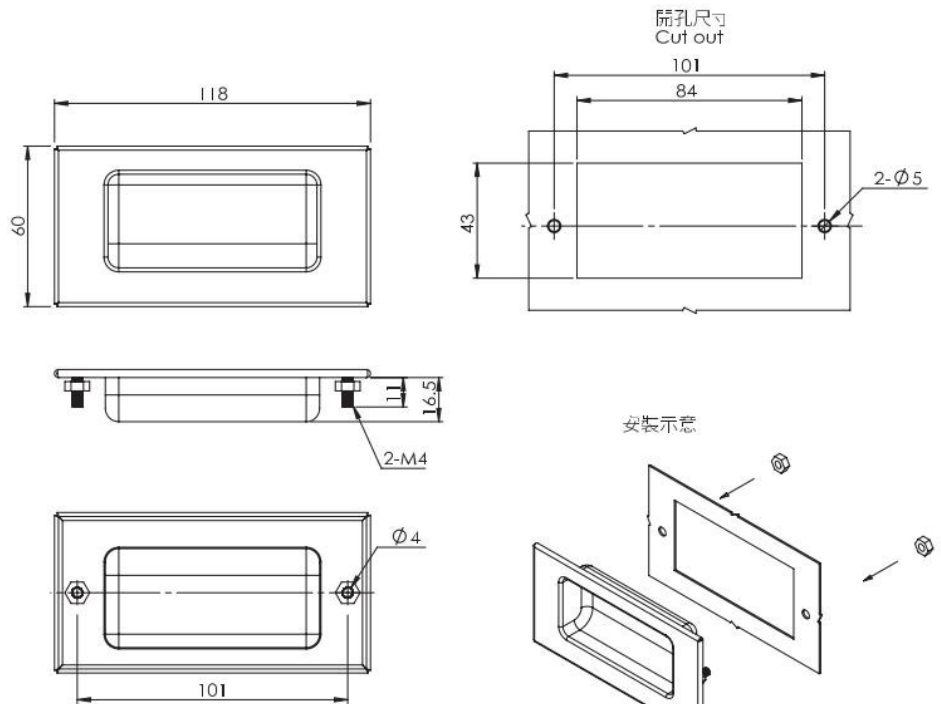


ABS 材質

按壓此產品進入鋁金件安裝孔中,即可安裝完成,快速方便

Press-in installation literally makes assembly a "snap" Built-in tabs snap into position behind panel to hold pull in place without need for mounting hardware

Item NO.	顏色 Color	適用板厚(mm) Thickness	荷重(kg) Load
HP-746-12B	黑色 Black	1.2	30
HP-746-16B	黑色 Black	1.6	30
HP-746-20B	黑色 Black	2.0	30
HP-746-12W	白色 White	1.2	30
HP-746-16W	白色 White	1.6	30
HP-746-20W	白色 White	2.0	30



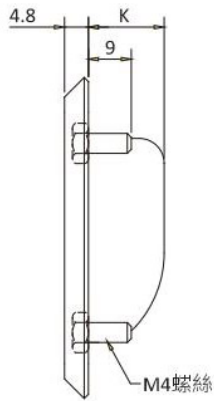
可選配件 Accessories ref.

可選配件 防水橡膠墊片 Rubber Gasket

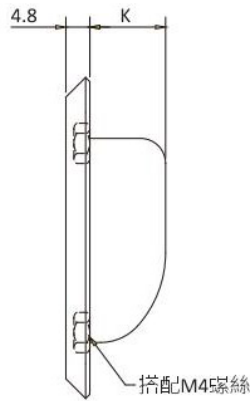
不鏽鋼 Stainless steel 304
適用板厚: 0.8-8mm/m Panel thickness: 0.8-8mm/m



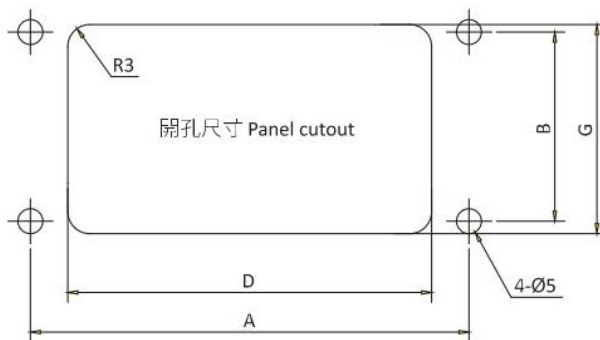
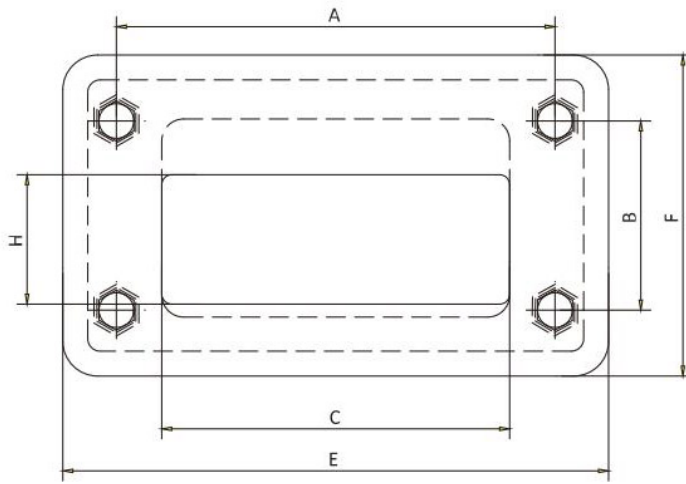
NEW



螺柱型(適用板厚:6mm內)
Outside Stationary
type



內固定型
In Stationary
type

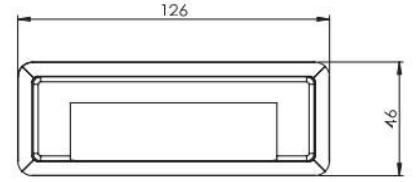
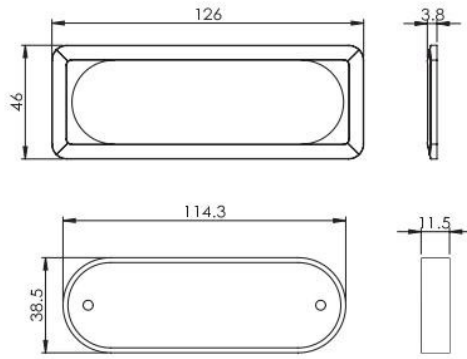


HP-006

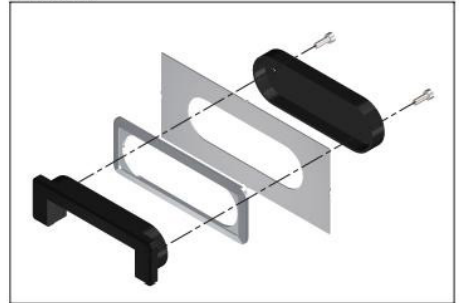


HP-007

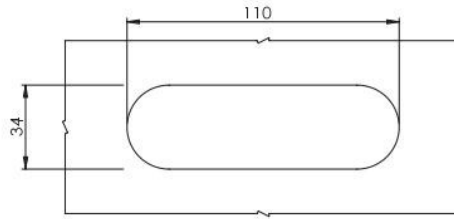
型式 type	產品編號 Item No.	材質 Material	尺寸 Dimensions								
			A	B	C	D	E	F	G	H	K
螺柱型 Outside Stationary type	HP-007-1	SUS304	110	65	97	99	139	89	66	36	21
	HP-006-1		88	38	70	73	110	65	42	26	15.2
內固定型 In Stationary type	HP-007-2		110	65	97	99	139	89	66	36	21
	HP-006-2		88	38	70	73	110	65	42	26	15.2



安裝示意

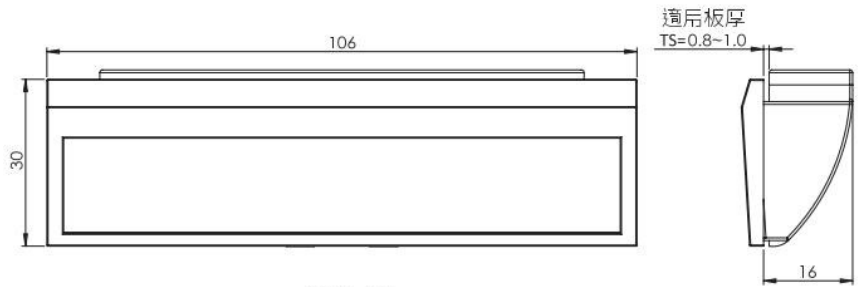


開孔尺寸
Cut out



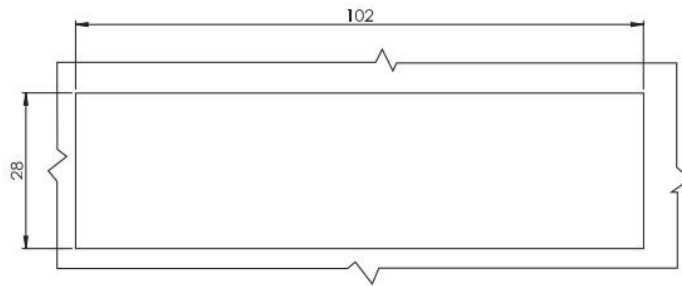
工程塑料 Plastic

HP-003



適后板厚
TS=0.8-1.0

開孔尺寸
Cut out



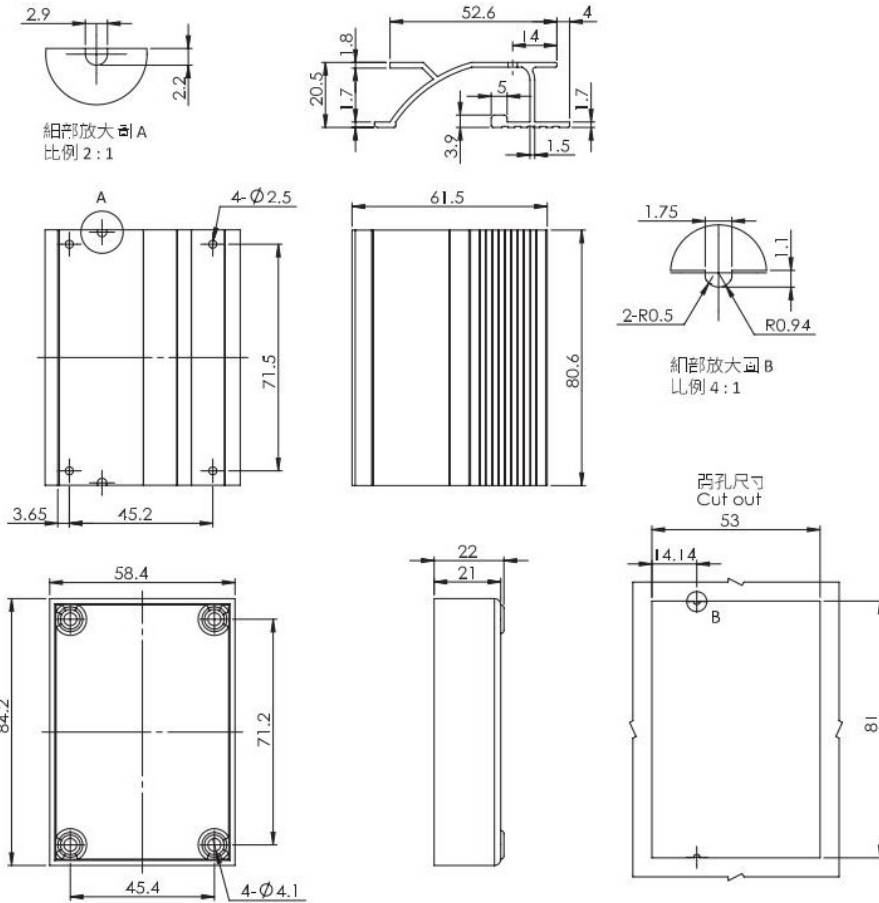
工程塑膠，有黑、白二種
Plastic

黑色 Black

白色 White

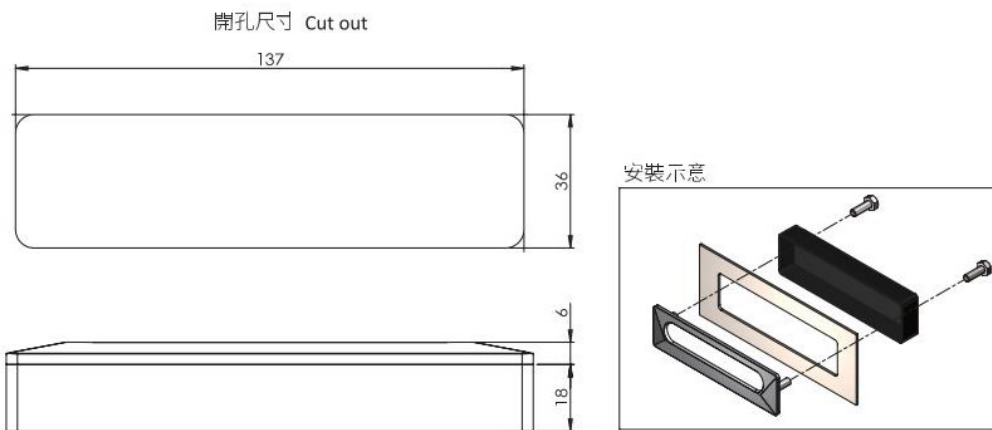
HP-004B

HP-004W



鋁合金 Aluminum Alloy

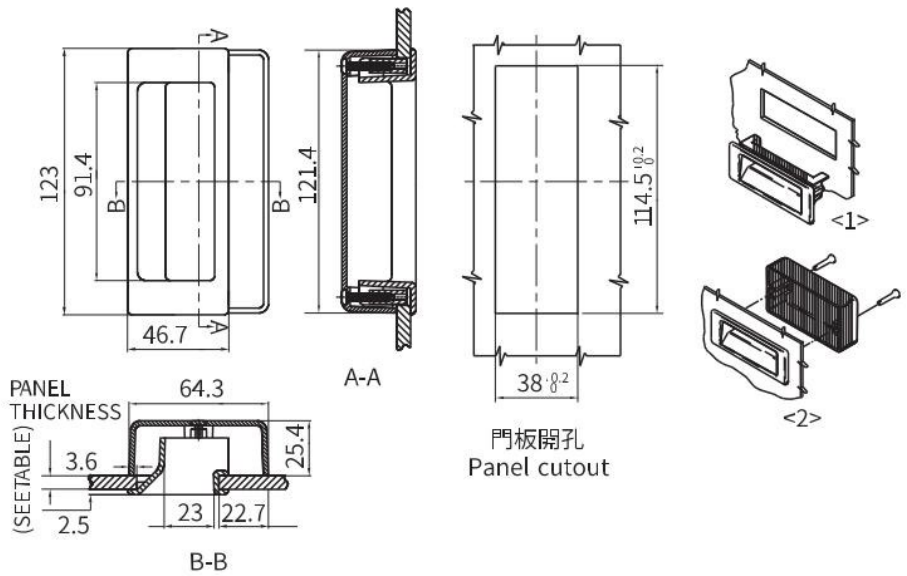
HP-747



鋅合金 Zinc Alloy
適用板厚:0.8-15mm/m Panel thickness:0.8-15mm/m

HP-001

NEW

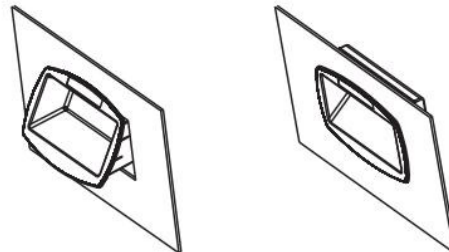


門板開孔
Panel cutout

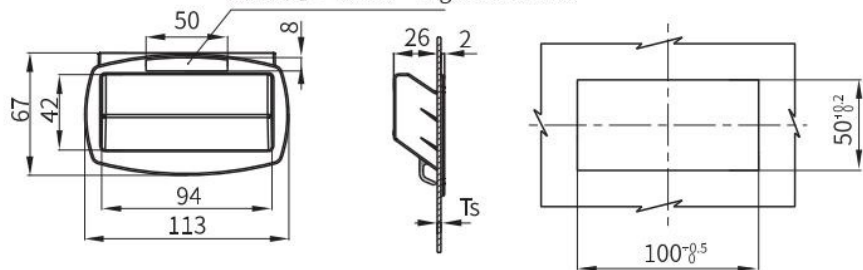
黑色ABS
Black ABS

門板厚度最小-最大 Panel Ts=Min-Max	Item NO.
1.0-1.8	HP-3305-01
1.8-3.3	HP-3305-02
3.3-4.8	HP-3305-03
4.8-6.3	HP-3305-04

NEW



標誌區，客戶可打印自己的標誌
Customer special logo can be here.
標誌尺寸：50X80 Logo size: 50X80



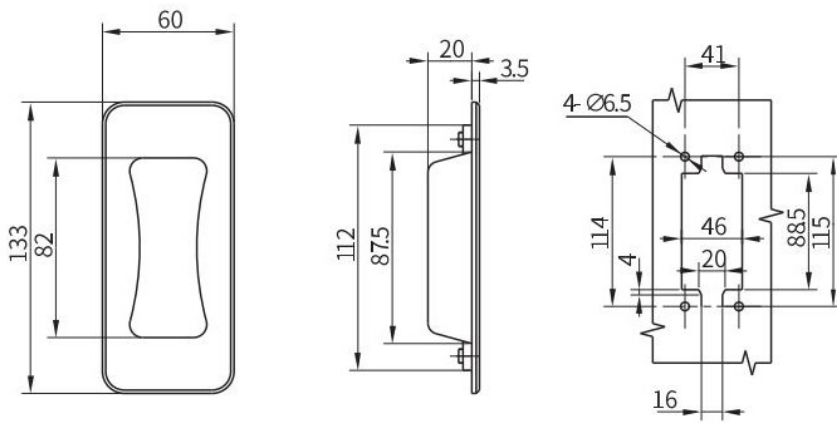
門板開孔
Panel cutout

黑色PA+GF
Black PA+GF

門板厚度最小-最大 Panel Ts=Min-Max	Item NO.
0.8-1.2	HP-3307-01
1.2-1.6	HP-3307-02
1.75-2.2	HP-3307-03

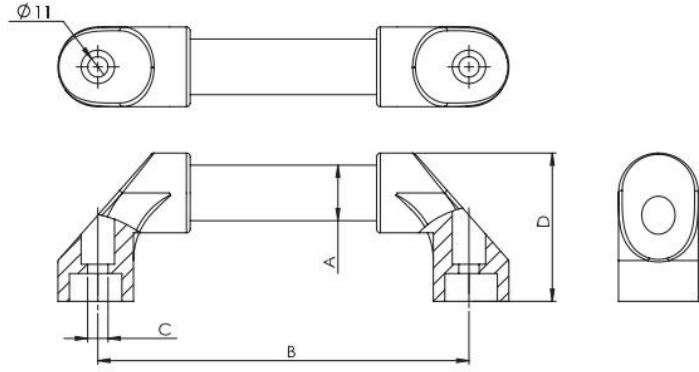


NEW



鋅合金, 噴塑黑
Zinc die, black coated.

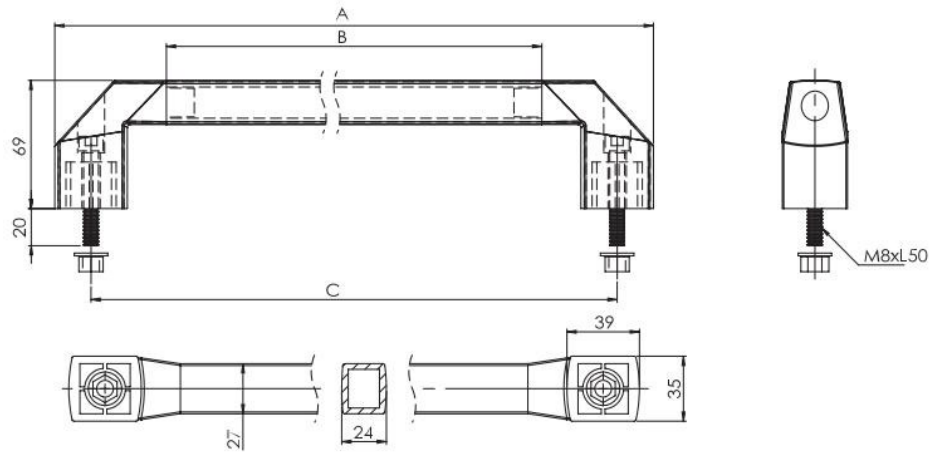
HP-3308-01-20



材質:圓管-鋁合金, 支座:尼龍加玻璃纖維、黑色, 鋼螺栓: 鋼鐵、染黑, 表面處理:鍍霧銀
 Material:Round bar-Aluminum (AL),Seat:Nylon and glass fiber\Black, Steel bolt: Steel\Dyed black,S.Tr: Matt silver

Order NO.	A	B	C	D
鋁合金(L)				
A-737-1-A-180	30	180	M10	80
-200	30	200	M10	80
-250	30	250	M10	80
-300	30	300	M10	80
-350	30	350	M10	80
-400	30	400	M10	80
-500	30	500	M10	80
-600	30	600	M10	80
-700	30	700	M10	80
A-737-1-A-B	30	free design	M10	80

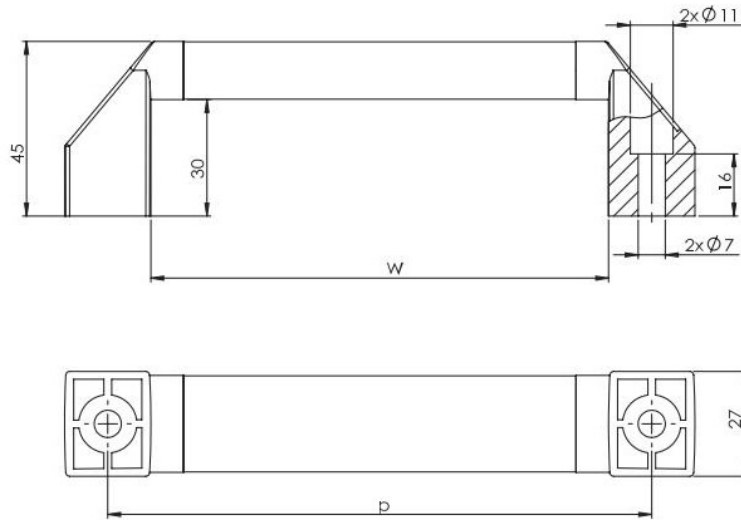
(mm)



材質:方管-鋁合金, 支座:尼龍加玻璃纖維、黑色, 鋼螺栓: 鋼鐵、染黑, 表面處理:銀色、黑色
 Material:Square tube-Aluminum,Seat:Nylon and glass fiber\Black,Steel bolt: Steel\Dyed black, S.Tr: Silver,Black

Order NO.	A	B	C
鋁合金(L)			
A-737-1-B-180	217	98	180
-200	235	123	200
-250	287	168	250
-300	337	218	300
-350	387	268	350
-400	437	318	400
-500	537	418	500
-600	637	518	600
-700	737	618	700

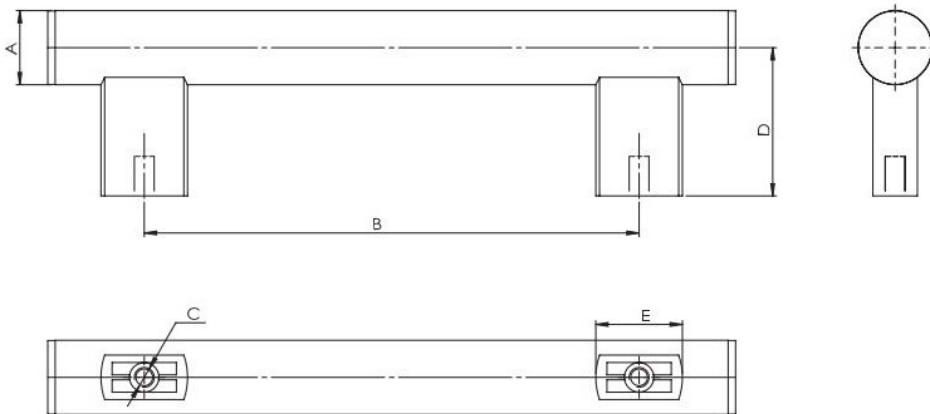
(mm)



材質:圓管-鋁合金, 支座:尼龍加玻璃纖維、黑色, 表面處理:鍍霧銀
 Material:Round ber-Aluminum (AL), Seat:Nylon and glass fiber、Black
 S.Tr: Matt silver

Order No.	P	W	loading
A-737-1-D-120	120	100	53Kg
A-737-1-D-140	140	120	42Kg
A-737-1-D-170	170	150	38Kg

(mm)

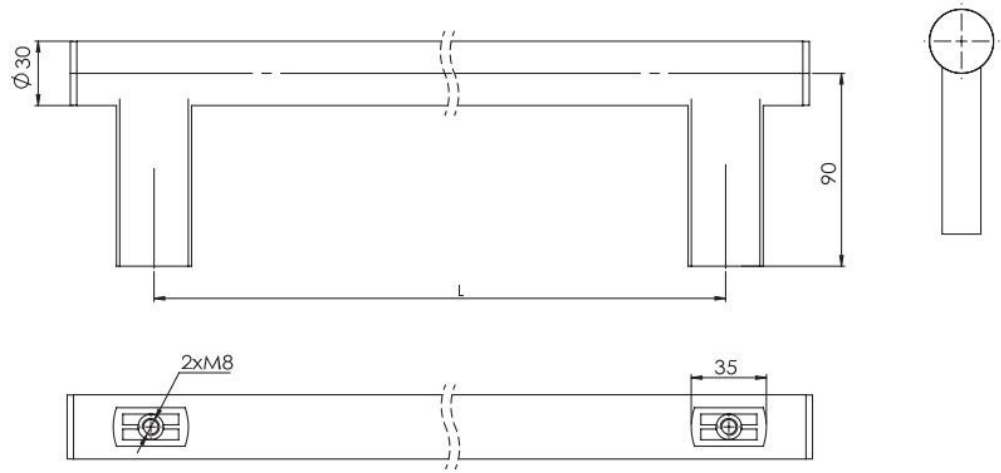


材質:圓管-鋁合金, 支座:尼龍加玻璃纖維、黑色, 鋼螺栓: 鍍鋅,
 蓋子:黑色、銀亮, 表面處理:鍍霧銀
 Material:Round tube-Aluminum, Seat:Nylon and glass fiber、Black, Steel bolt: Zincing
 Cap:Black、Brush silver, S.Tr: Matt silver

Order NO.	A	B	C	D	E	Weight (g)
鋁合金(L)						
A-737-2-200	30	200	M8	60	35	81
-250		250				114
-300		300				231
-400		400				294
-500		500				354
-600		600				480

(mm)

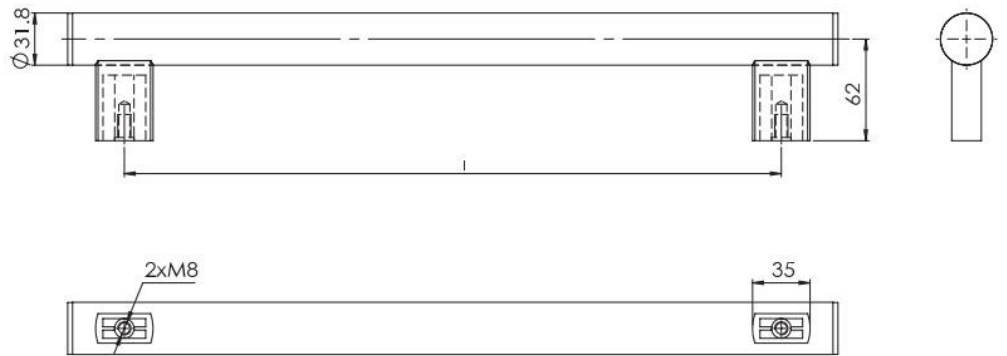




材質:圓管-鋁合金, 支座:尼龍加玻璃纖維、黑色, 鋼螺栓: 鍍鋅,
蓋子:黑色、銀亮, 表面處理:鍍霧銀
Material:Round tube-Aluminum ,Seat:Nylon and glass fiber\Black, Steel bolt: Zincing
Cap:Black\Brush silver, S.Tr: Matt silver

Order NO.	L
鋁合金(AL)	
A-737-2H-200	200
A-737-2H-250	250
A-737-2H-300	300
A-737-2H-400	400
A-737-2H-500	500
A-737-2H-600	600

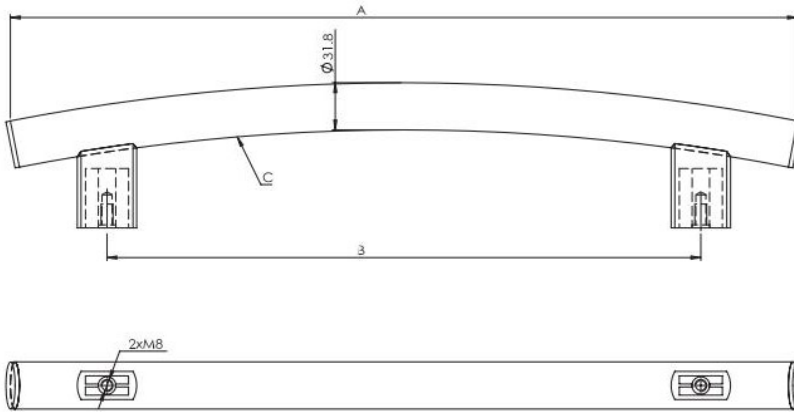
(mm)



材質:圓管-不銹鋼, 支座:尼龍加玻璃纖維、黑色, 鋼螺栓: 鍍鋅, 蓋子:黑色
Material:Round tube-Stainless steel,Seat:Nylon and glass fiber\Black,
Steel bolt: Zinc plated,Cap: Black

Order NO.	L
不銹鋼(SST)	
A-737-3-200	200
-250	250
-300	300
-400	400
-500	500
-600	600
-918	918
A-737-3-L	(自由設計free design)

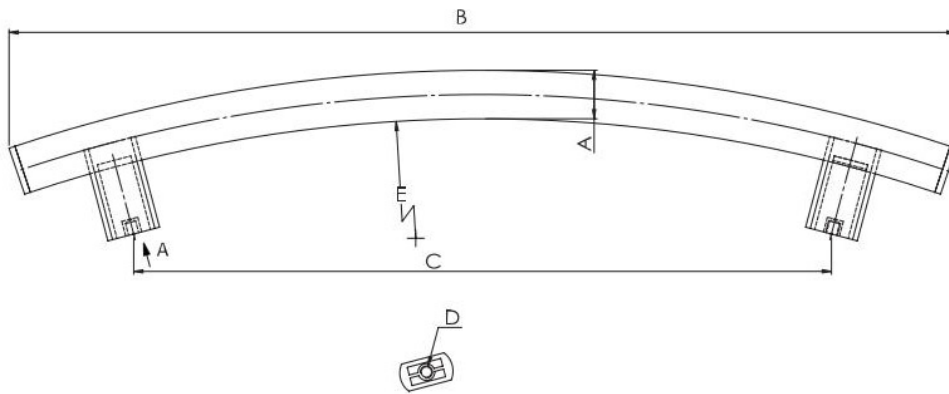
(mm)



材質:圓管-不鏽鋼, 支座:尼龍玻璃纖維、黑色, 鋼螺柱: 鋼鐵、鍍鋅, 蓋子:黑色
 Material:Round tube-Stainless steel,Seat:Aluminum Black,Steel bolt:Steel-Zinc plated,Cap: Black

Order NO. 不鏽鋼(SST)	A	B	C
A-737-4-530-400	530	400	R1168
-600-425	600	425	R1168
-700-600	700	600	R1700
-796-600	796	600	R4234
-940-850	940	850	R2968
-980-800	980	800	R4000
A-737-4-A-B-C	自由設計 free design	自由設計 free design	自由設計 free design

(mm)

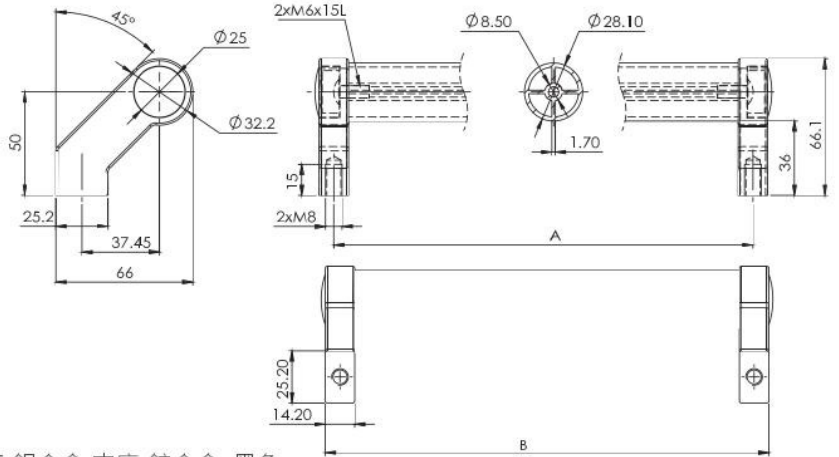


材質:圓管-不鏽鋼, 支座:尼龍加玻璃纖維, 鋼螺柱: 鋼鐵、鍍鋅, 蓋子:尼龍加玻璃纖維、黑色
 Material:Round tube-Stainless steel,Seat:Nylon and glass fiber,Steel bolt: Steel-Zincing
 Cap: Nylon and glass fiber-Black

Order NO. 不鏽鋼(SST)	A	B	C	D	E
A-737-5-376-180	31.8	376	180	M8	R1748
-620-457	31.8	620	457	M8	R950
-700-529	31.8	700	529	M8	R1654
-700-600	31.8	700	600	M8	R1729
-717-543	31.8	717	543	M8	R2038
-800-590	31.8	800	590	M8	R1598
-800-595	31.8	800	595	M8	R1598
B-C-E	31.8	B 自由設計 free design	C 自由設計 free design	M8	E 自由設計 free design

(mm)





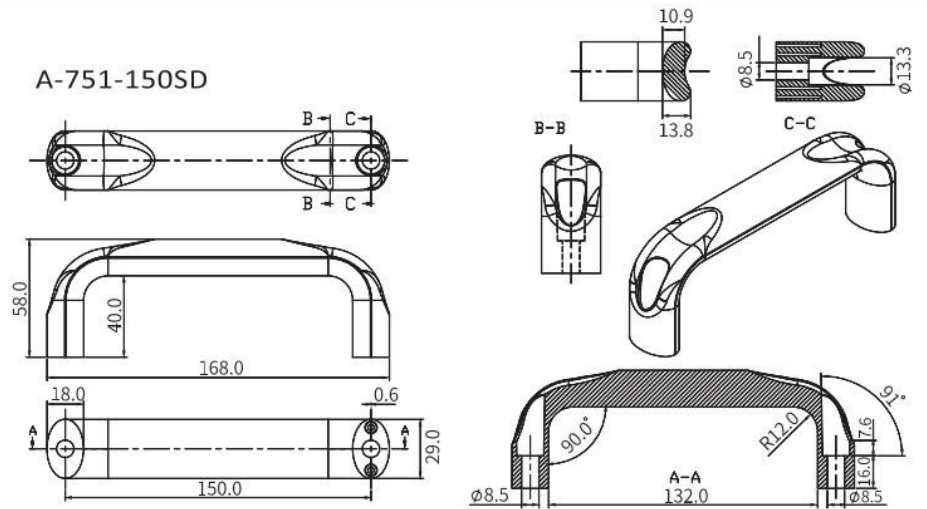
材質:圓管-鋁合金;支座-鋅合金、黑色
Material:Round tube-Aluminum;Seat:Zinc,Black,

Order NO.	A	B
鋁合金		
A-737-6-200	200	214.2
A-737-6-250	250	264.2
A-737-6-300	300	314.2
A-737-6-350	350	364.2
A-737-6-400	400	414.2
A-737-6-500	500	514.2
A-737-6-600	600	614.2

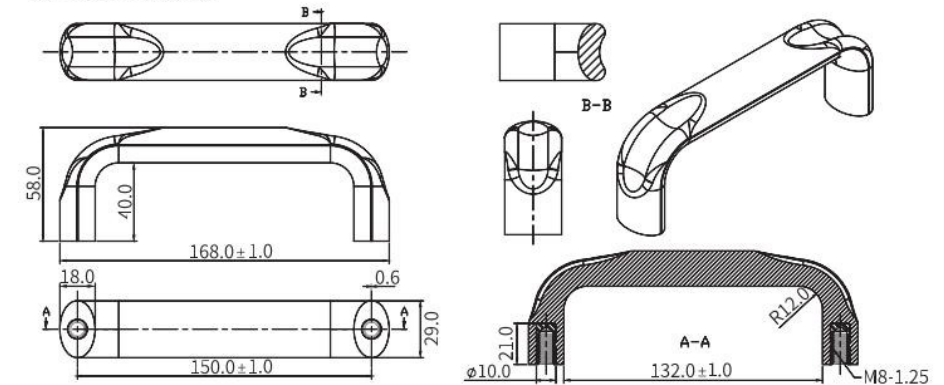
(mm)



A-751-150SD



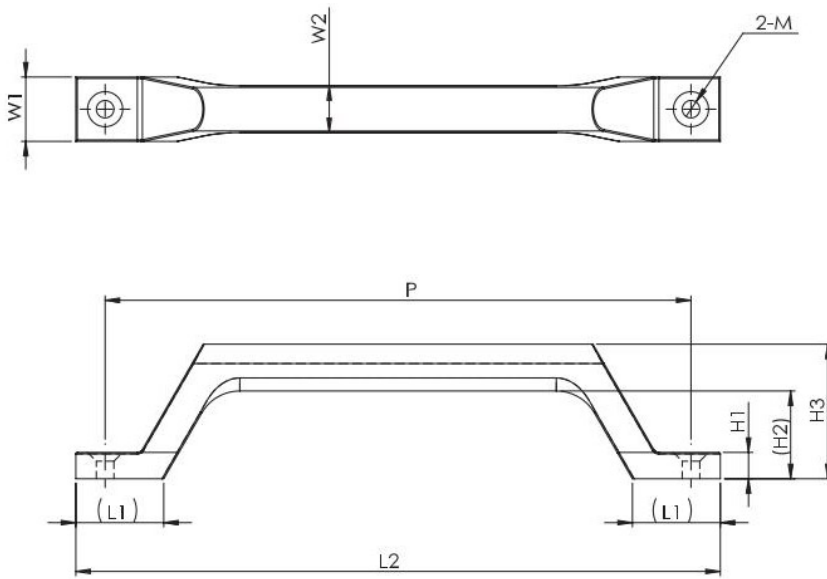
A-751-150SM



尼龍加玻璃纖維、黑色
Nylon and glass fiber、Black

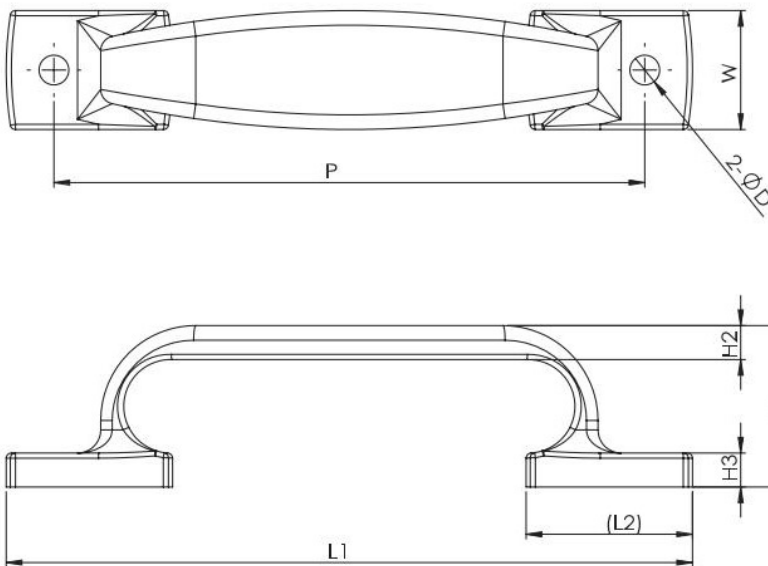
MODEL NO.	Pitch	中心孔
A-751-150SD	150	8.5
A-751-150SM	150	M8

(mm)



不銹鋼316 Stainless steel 316
表面處理:鏡面拋光 S.Tr:Bright polishing

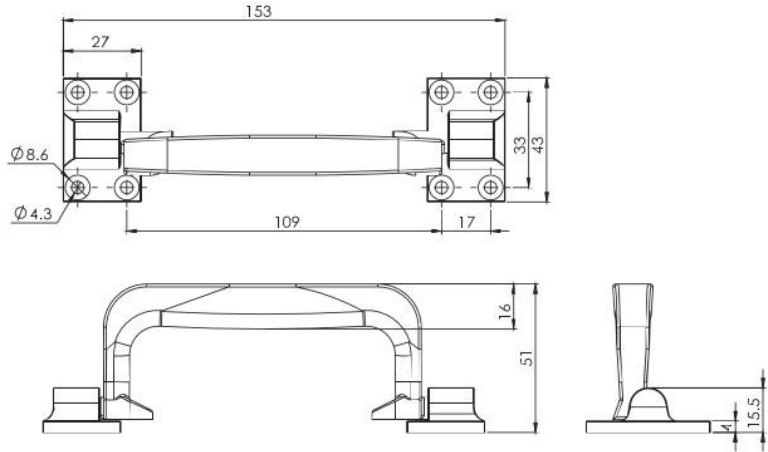
MODEL NO.	H1	(H2)	H3	(L1)	L2	M	P	W1	W2	荷重(Kg)
AS-780-1	9	30	46	30	220	M6	200	22	16	80
AS-780-2	9	30	46	30	170	M6	150	22	16	75
AS-780-3	6	20	32	23	116	M4	100	18	12	70
AS-780-4	6	20	32	20	96	M4	80	18	12	65



不銹鋼316 Stainless steel 316
表面處理:鏡面拋光 S.Tr:Bright polishing

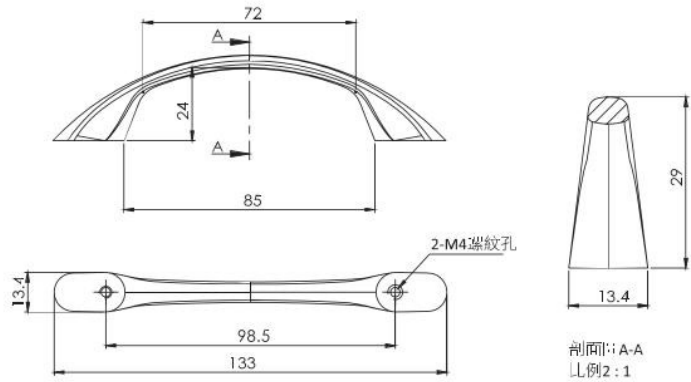
MODEL NO.	ØD	H1	H2	H3	L1	L2	P	W	荷重(Kg)
AS-768-1	6.5	34	7	6	145	35	125	25	80
AS-768-2	5.5	33	7	6	130	30	115	22	75
AS-768-3	5.5	30	6	5	120	29	105	20	70





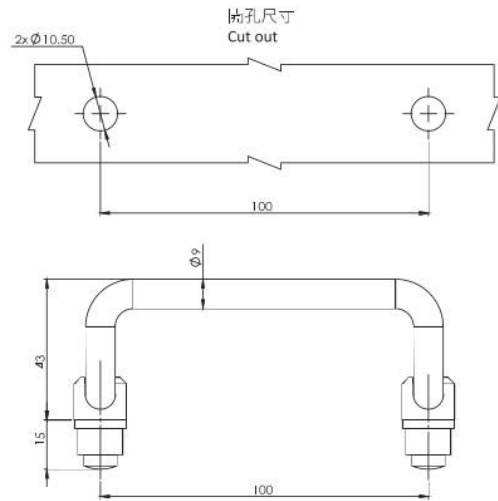
不鏽鋼 304、鏡面拋光
Stainless Steel 304、Bright polishing

AS-790



不鏽鋼 304、鏡面拋光
Stainless Steel 304、Bright polishing

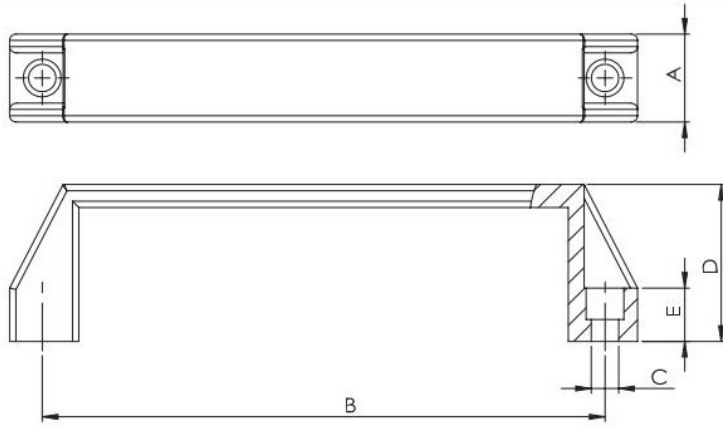
AS-770



鋼鐵及不鏽鋼、鍍亮鉻、黑色塗裝
Steel or stainless steel、Bright chrome finish、Black powder coated

	Order NO.
亮鉻 Bright Chrome	A-739-1
黑色塗裝 Black powder Coated	A-739-2
不鏽鋼 Stainless Steel	AS-739

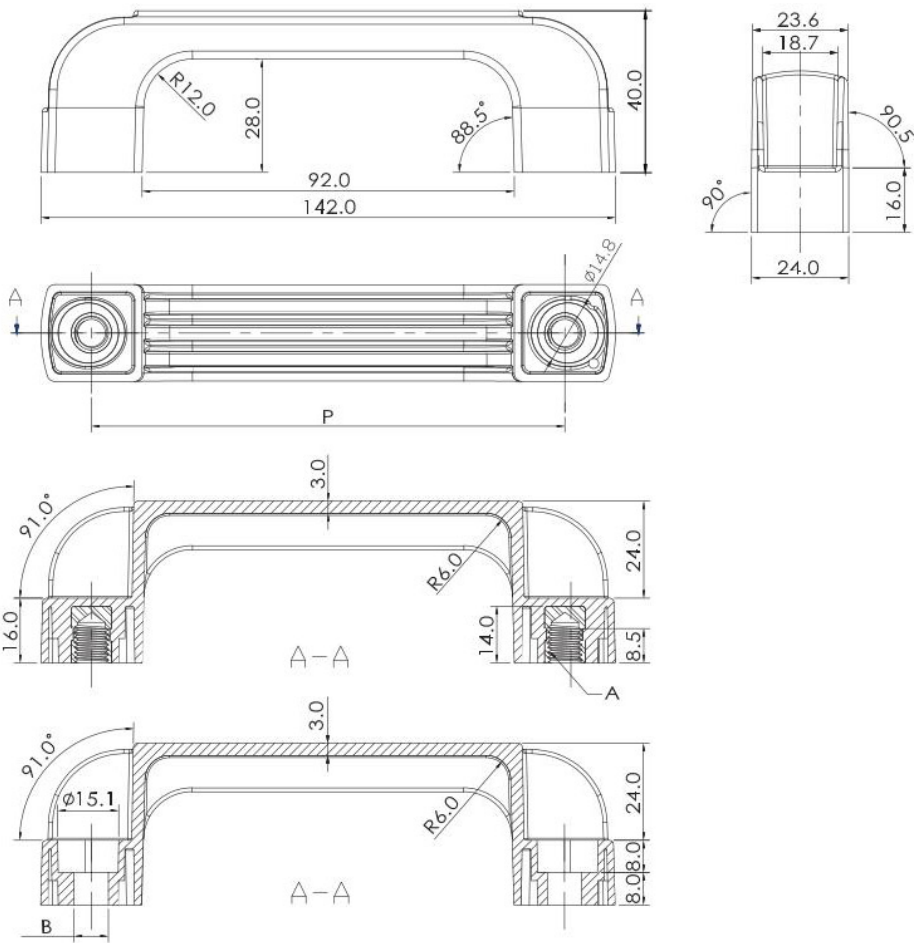
(mm)



尼龍加玻璃纖維、黑色
Nylon and glass fiber、Black

Order NO. 尼龍加玻璃纖維(KT)	A	B	C	D	E
A-738-94	21	94	6.5	36	13
A-738-117	26	117	8.5	41	15
A-738-132	27	132	8.5	45	16
A-738-179	28	179	8.5	50	17

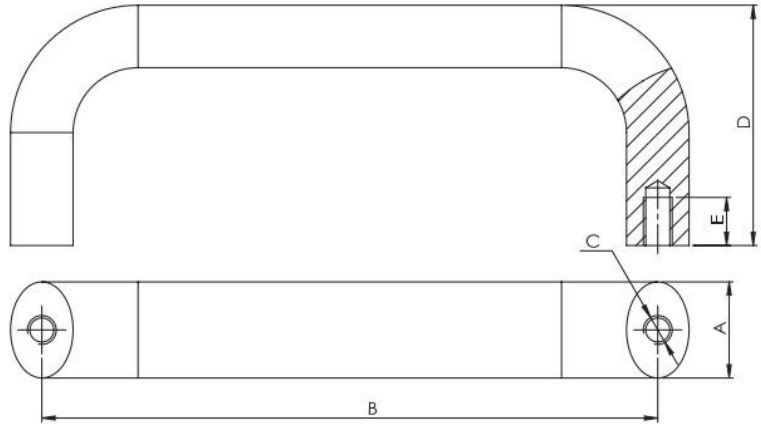
(mm)



尼龍加玻璃纖維、黑色
Nylon and glass fiber、Black

尼龍加玻璃纖維(KT)	A(螺牙)			B(孔透穿)	
	M5	M6	M8	Ø6.5	Ø8.5
P=117	A-752-117-M5	A-752-117-M6	A-752-117-M8	A-752-117-6	A-752-117-8
P=120	A-752-120-M5	A-752-120-M6	A-752-120-M8	A-752-120-6	A-752-120-8

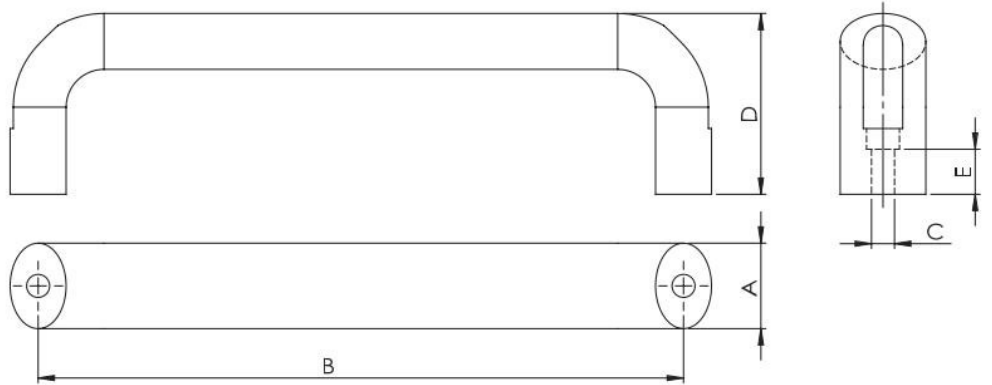




鋁合金、陽極黑色、陽極銀色
Aluminum alloy\Anodize Finish-Black,Anodize Finish-Silver

Order NO. 鋁合金(L)	A	B	C	D	E	Weight (g)
A-740-20-100	20	100	M6	50	10	87
-112		112				97
-128		128				107
-160		160				127
-26-112	26	112	M8	55	12	150
-117		117				160
-128		128				183
-160		160				200
-179		179				230
-192		192				245
-300	300	350				
-400	400	445				

(mm)



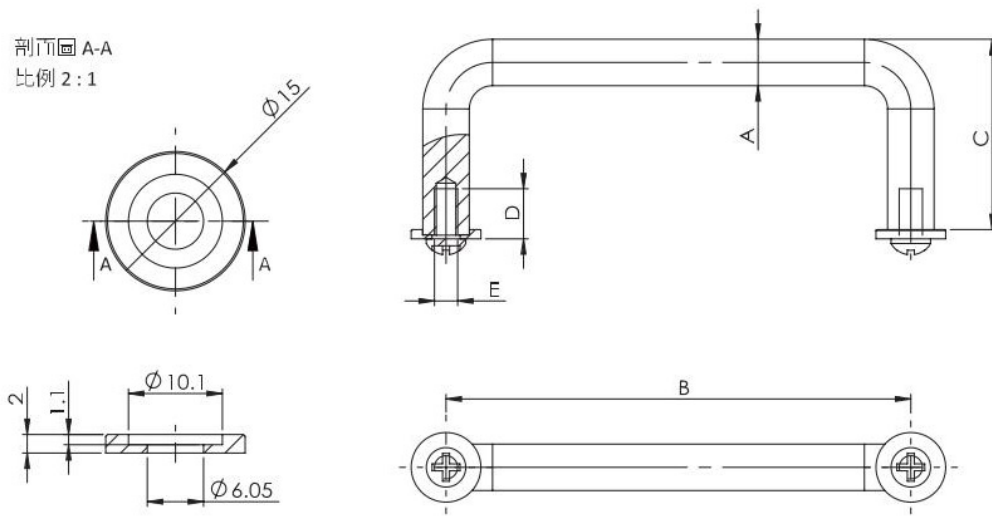
鋁合金、陽極黑色、陽極銀色
Aluminum alloy\Anodize Finish-Black, Anodize Finish-silver

Order NO. 鋁合金(AL)	A	B	C	D	E
A-746-116	26	116	7	55	13
-132	26	132	7	55	13
-164	26	164	7	55	13
-196	26	196	7	55	13

(mm)



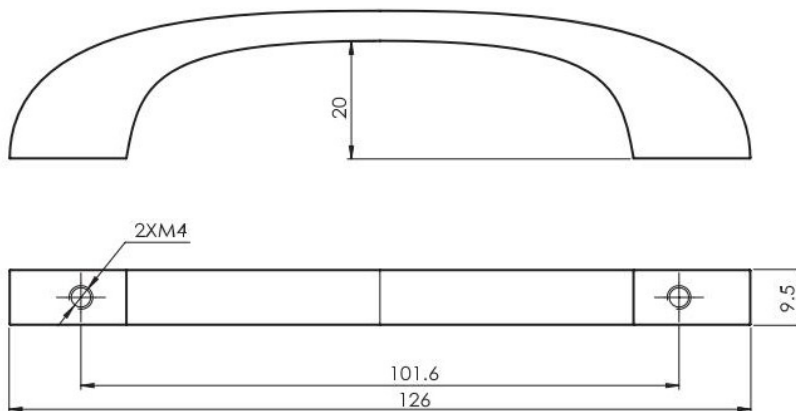
剖面圖 A-A
比例 2:1



不銹鋼墊片(選配件)、振動研磨
Stainless steel washer (optional)、Vibration Gringd

Order NO.	A	B	C	D	E	Weight (g)
AS-742-8-76	8	76	26	8	M4	42
AS-742-10-88	10	88	43	8	M5	91
-100		100				98
-120		120				109
-180		180			146	
-200		200			161	
-235		235			183	

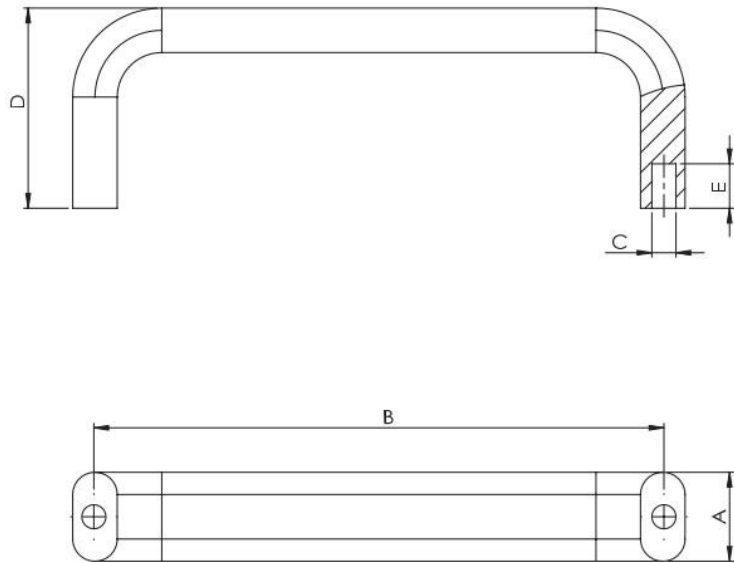
(mm)



鋁合金、陽極霧銀
Aluminum alloy、Brushed finish

A-777

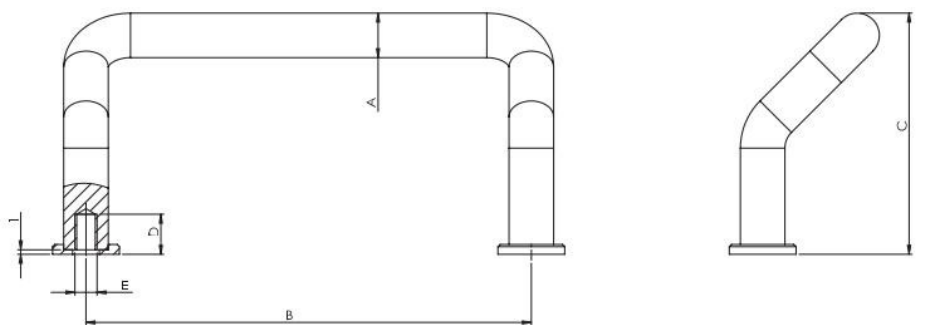




不鏽鋼
Stainless steel

Order NO.	A	B	C	D	E	Weight (g)
不鏽鋼(SST)						
AS-743-112	20	112	M6	45	10	277
-117	20	117	M6	45	10	285
-128	20	128	M6	45	10	309

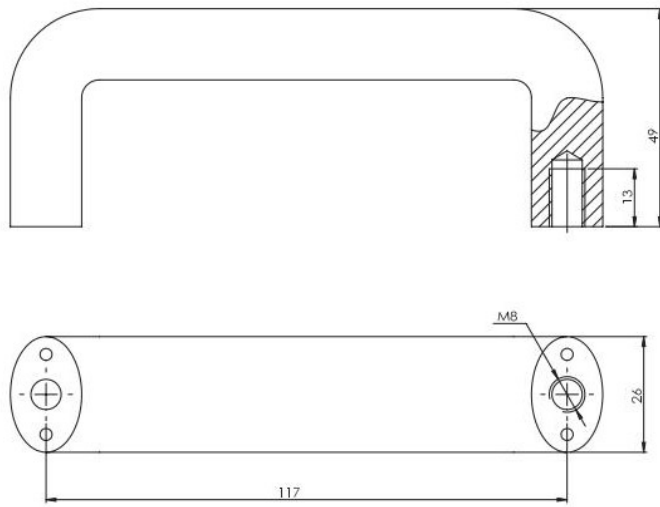
(mm)



鋼鐵、鍍亮鉻
Steel\Chrome Bright

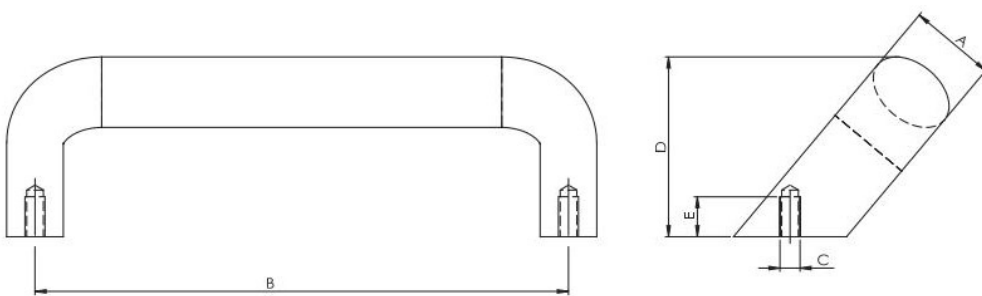
Order NO.	A	B	C	D	E	Weight (g)
鋼鐵(ST)						
A-744-88	10	88	54	12	M5	107
-100	10	100	54	12	M5	116
-120	10	120	54	12	M5	127

(mm)



尼龍加玻璃纖維、黑色
Nylon and glass fiber-black、Black finish

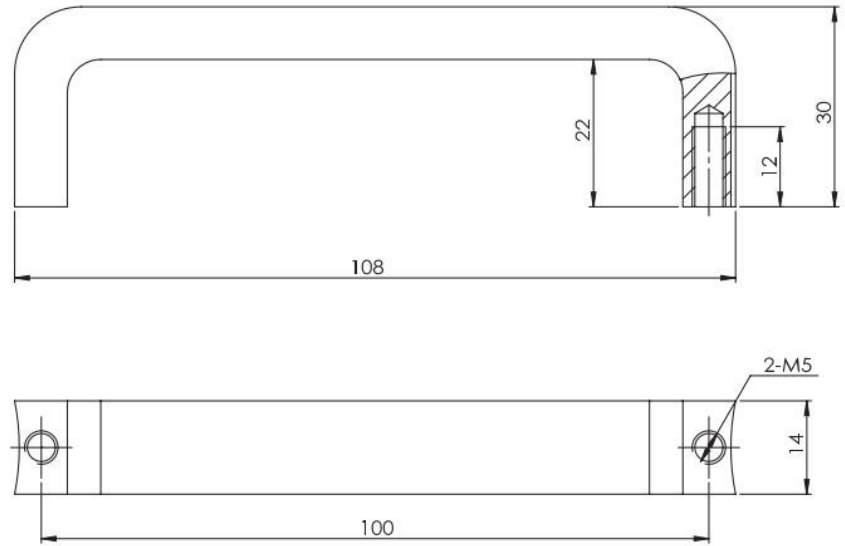
A-741



鋁合金、陽極黑色、陽極銀色
Aluminum alloy、Anodize Finish-Black, Anodize Finish-silver

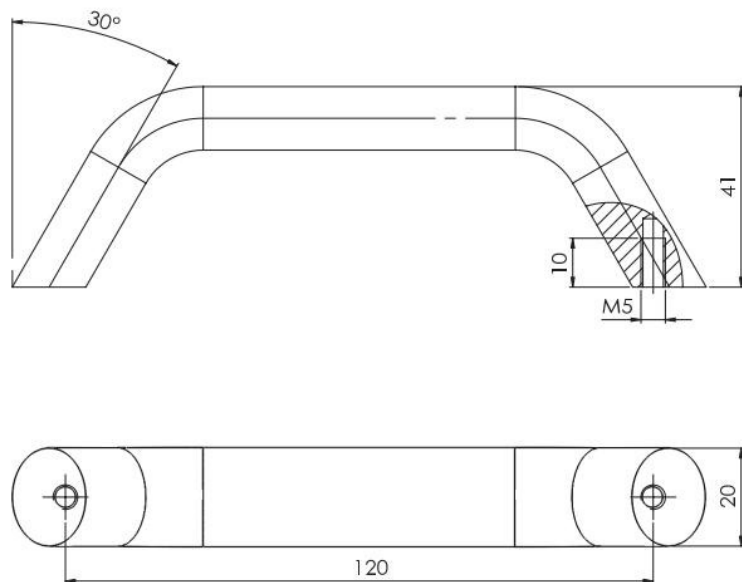
Order NO.	A	B	C	D	E
鋁合金(AL)					
A-745-26-128	26	128	M8	54	12
A-745-26-160	26	160	M8	54	12

(mm)



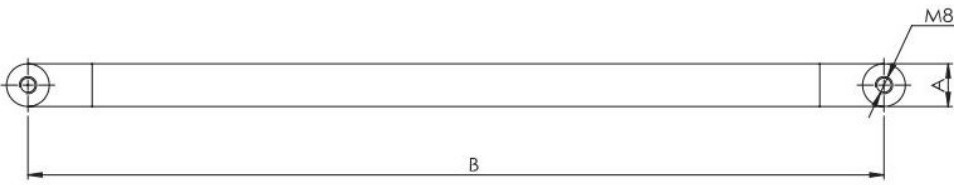
鋅合金、亮鉻
Zinc alloy、Bright chrome plated

A-747



鋁合金、黑色烤漆、銀色
Aluminum alloy、Paint black、Matt silver

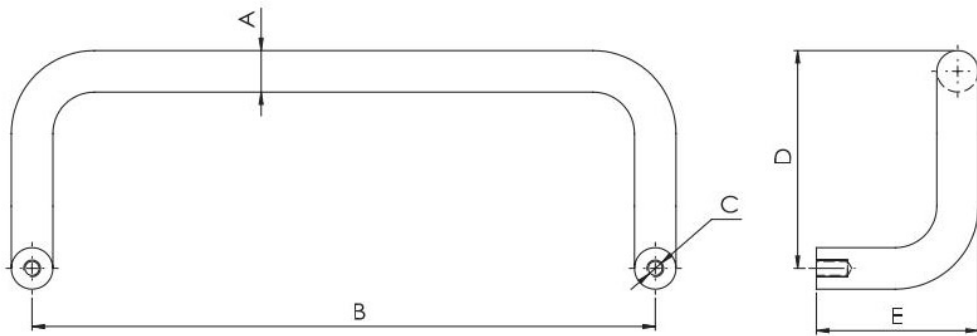
A-748



鋁合金、銀色、黑色烤漆
Aluminum alloy、Matt silver、Paint black

Order NO.	A	B
鋁合金(AL)		
A-749-20-200	20	200
-20-250		250
-20-300		300
-20-400		400

(mm)

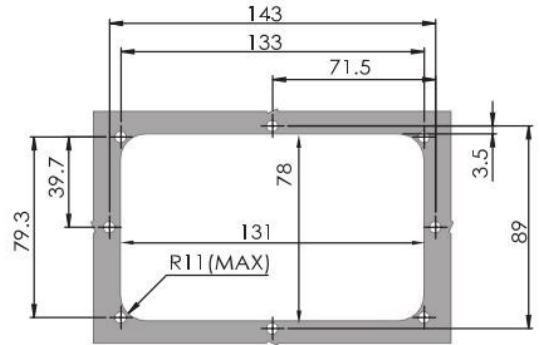
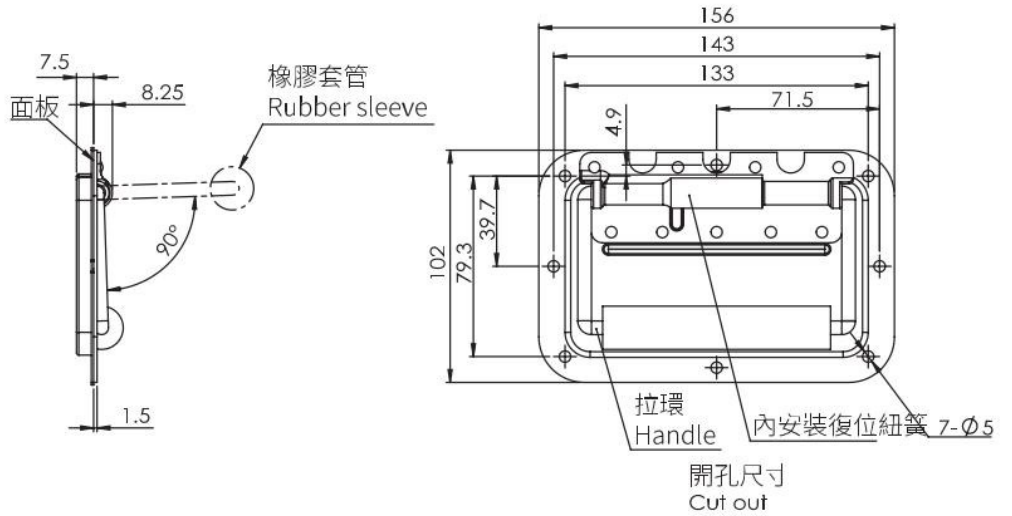


鋁合金、原色、黑色烤漆
Aluminum alloy、Natural、Paint black

Order NO.	A	B	C	D	E
鋁合金(AL)					
A-750-20-200	20	200	M8	105	68
-20-300	20	300	M8	105	68

(mm)





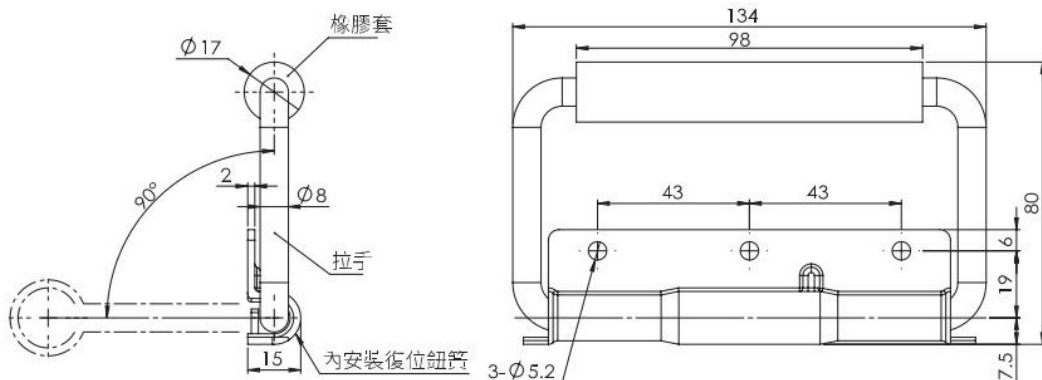
鋼鐵·橡膠套把手·鍍鋅
Steel·handle with rubber sleeve·Zinc plated

鐵鍍鋅 M.S. zinc plated

A-329

電鍍黑 Black powder coated

A-329-EC

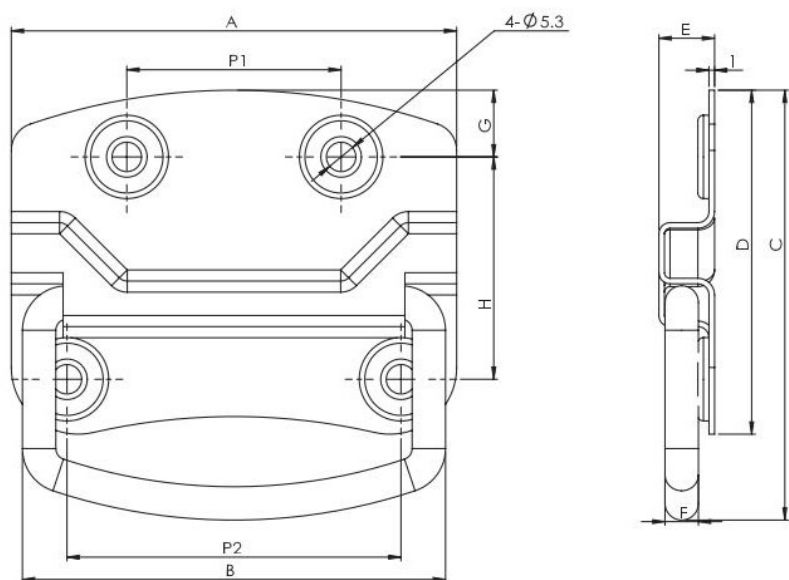


A-504-A

鐵鍍鉻、黑色塗裝，把手由PVC包覆，耐熱70°，拉起90°角後，自動限位
 Steel\Chrome plated or black coated finish, Handle with PVC grip that can withstand max. temp of 70°

鐵鍍鉻 Chrome plated	黑色塗裝 Black powder coated
A-504-A	A-504-B

(mm)



A-3103

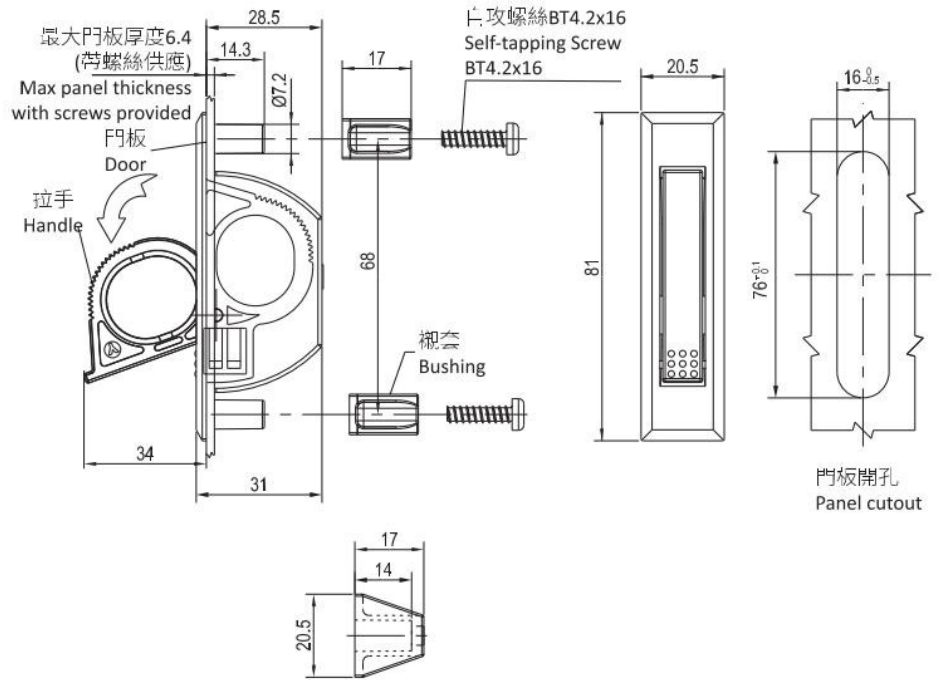


A-3104

ST-鐵、SUS-不銹鋼、提拉手柄90°限位
 Steel\Stainless Steel\Handle swing angle: within 90°

	Item NO.	A	B	C	D	E	F	G	H	P1	P2
鐵 Steel	A-3103	80	77	79	62	10.2	Ø5	12	40	38.5	60
	A-3104	103.5	96	95	78	13	Ø6	16	47.5	50	77
不銹鋼 Stainless Steel	AS-3103	80	77	79	62	10.2	Ø5	12	40	38.5	60
	AS-3104	103.5	96	95	78	13	Ø6	16	47.5	50	77

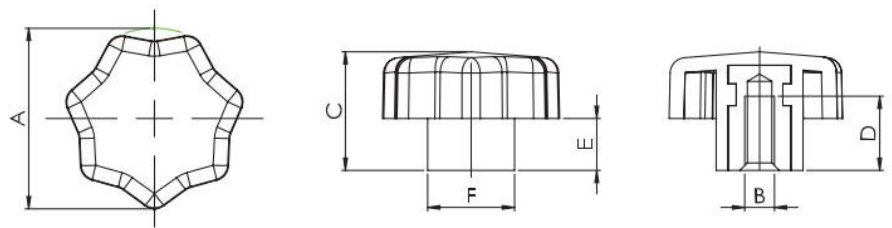
unit:m/m



尼龍把手和鎖殼, 乙縮醛襯套, 不鏽鋼304自攻螺絲和銷軸, 表面處理做黑色
 PA6 handle and housing, POM bushing, SUS304 self-tapping screw and pin, black finish.

中型 Middle Size

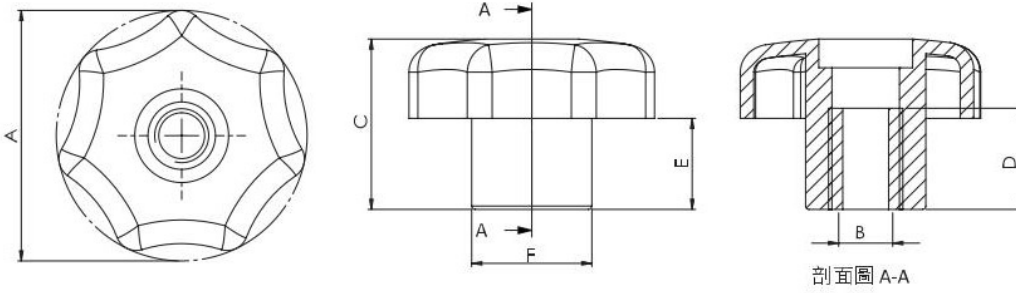
A-3207-68-90



尼龍加玻璃纖維、黑色、螺柱鍍鋅
 Nylon and glass fiber, Black, Bolt-zinc plated

Order NO.	A	B	C	D	E	F
尼龍加玻璃纖維(KT)						
AP-1020-20-M4	20	M4	13	6.5	7	10
-25-M5	25	M5	16	9.5	8	12
-25-M6	25	M6	16	9.5	8	12
-32-M6	32	M6	20	12	10	14
-40-M6	40	M6	25	14	13	18
-40-M8	40	M8	25	14	13	18
-50-M8	50	M8	32	18	17	22
-50-M10	50	M10	32	18	17	22
-63-M10	63	M10	40	22	21	26
-63-M12	63	M12	40	22	21	26
-80-M12	80	M12	50	22	25	35
-80-M16	80	M16	50	30	25	35

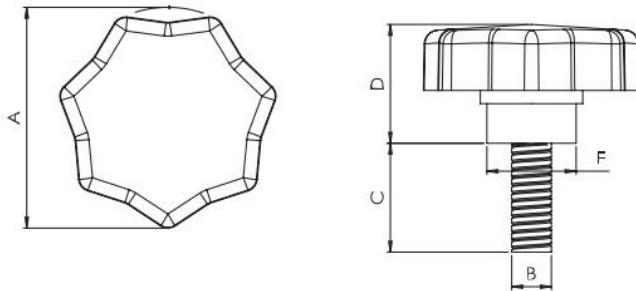
(mm)



尼龍加玻璃纖維、黑色、螺栓鍍鋅
Nylon and glass fiber、Black、Bolt-zinc plated

Order NO.	A	B	C	D	E	F
尼龍加玻璃纖維(KT)						
AP-1025-32-M6	32	M6	20	9	10	14
-40-M6	40	M6	25	12	13	18
-40-M8	40	M8	25	12	13	18
-50-M10	50	M10	32	16	17	22
-63-M12	63	M12	39	21	21	26

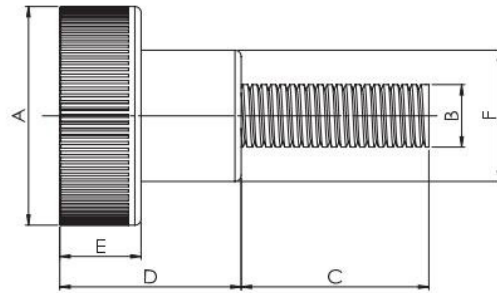
(mm)



尼龍加玻璃纖維、黑色、螺牙鍍鋅
Nylon and glass fiber、Black、Screw-zinc plated

Order NO.	A	B	C								D	E
尼龍加玻璃纖維(KT)												
AP1050-A-B-C	25	M5	10	15	20	30	-	-	-	-	16	12
	25	M6	10	15	20	30	-	-	-	-	16	12
	32	M6	10	15	20	30	40	-	-	-	20	14
	40	M6	-	15	20	30	40	50	-	-	25	18
	40	M8	-	15	20	30	40	50	-	-	25	18
	50	M8	-	15	20	30	40	50	60	-	32	22
	50	M10	-	-	20	30	40	50	60	-	32	22
	63	M10	-	-	20	30	40	50	60	-	40	26
	63	M12	-	-	20	30	40	50	60	-	40	26
	80	M12	-	-	20	30	40	50	60	80	50	35
	80	M16	-	-	-	40	50	60	80	50	35	

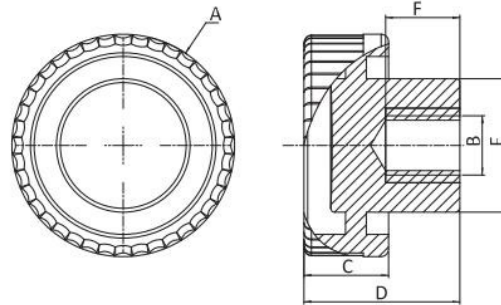
(mm)



黑色、螺牙鍍鋅
Black, Screw-zinc plated

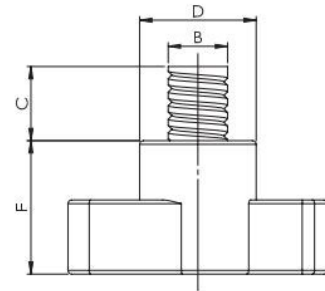
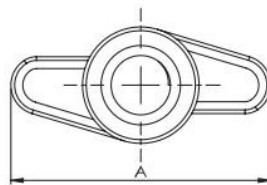
Order NO.	A	B	C				D	E	F	
尼龍加玻璃纖維 Nylon and glass fiber										
AP-2010-A(旋鈕外徑 Knobs diameter)	20	M4	10	15	20	-	-	13	8	12
-B(外螺紋 External thread)	20	M5	10	15	20	-	-	13	8	12
-C(螺紋長度 Thread length)	25	M6	10	-	20	30	-	19.5	9	15
	30	M8	-	-	20	30	40	21.5	11	18
	35	M10	-	-	20	30	40	29	13	21

(mm)



Order NO.	A	B	C	D	E	F
尼龍加玻璃纖維 Nylon and glass fiber						
AP-2031-20-M4	20	M4	8	13.5	12	7
-20-M5	20	M5	8	13.5	12	8
-25-M6	25	M6	9	19.5	15	12
-30-M8	30	M8	11	21.5	18	12
-35-M8	35	M8	13	29	18	18
-35-M10	35	M10	13	29	18	18

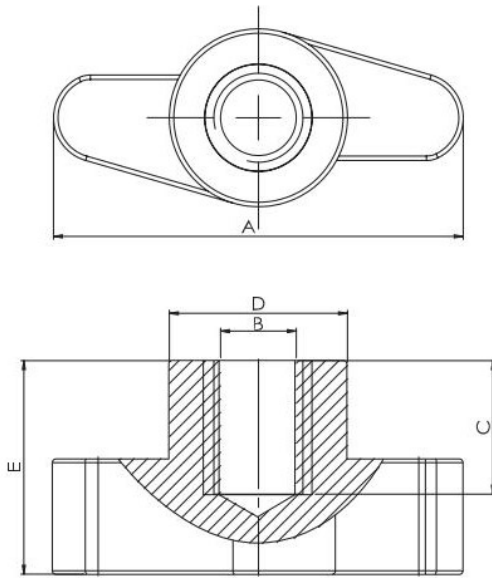
(mm)



尼龍加玻璃纖維、黑色、螺牙鍍鋅
Nylon and glass fiber \ Black \ Screw-zinc plated

Order NO.	A	B	C				D	E				
尼龍加玻璃纖維 Nylon and glass fiber												
AP-2061-A(手柄長度 Handle length)	35	M6	10	15	20	25	30	-	-	-	15.6	18
-B(外螺紋 External thread)	35	M8	10	15	20	25	30	35	-	-	15.6	18
-C(螺紋長度 Thread length)	45	M8	-	15	20	25	30	35	40	-	20	24
-表面顏色 Surfaced color	45	M10	-	15	20	25	30	35	40	45	20	24

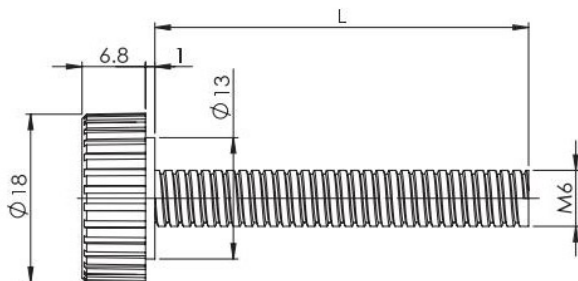
(mm)



尼龍加玻璃纖維、黑色、螺柱鍍鋅
Nylon and glass fiber、Black、Bolt-zinc plated

Order NO.	A	B	C	D	E
塑膠(KT)					
AP-2062-A(旋鈕外徑 Knobs diameter)	35	M6	14	15.6	18
-B(外螺紋 External thread)	35	M8	14	15.6	18
-顏色(Color)	45	M8	18	20	24
(表面顏色 Surfaced color)	45	M10	18	20	24

(mm)

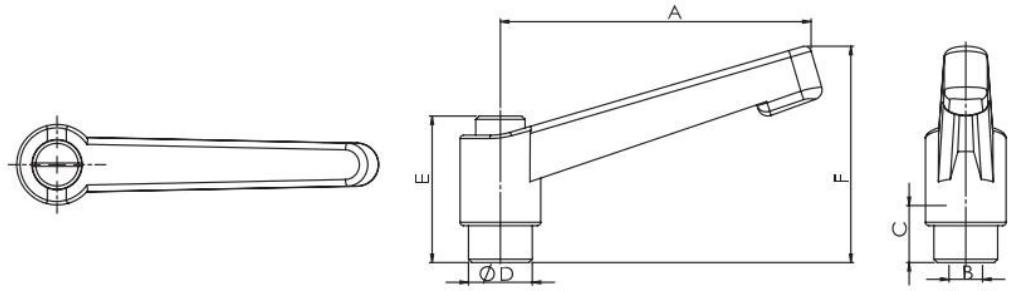


ABS旋鈕、不鏽鋼鍍黑、
Knob-Abs,Screw-Stainless Steel black plated

Order NO.	L
AP-2011-15	15
AP-2011-25	25
AP-2011-30	30
AP-2011-40	40

(mm)

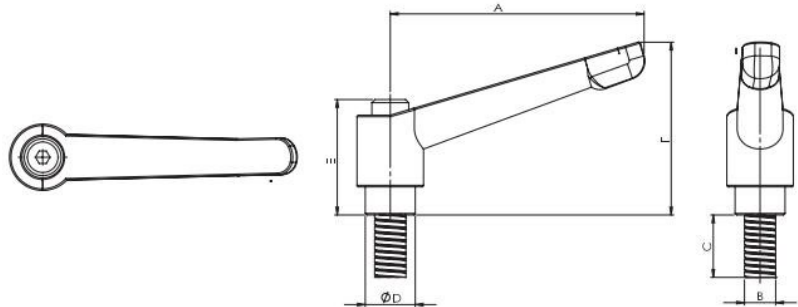




鋅壓鑄把手、鋼鐵、染黑軸、表面處理:黑色烤漆、橘色烤漆、銀色烤漆
 Handle-Zinc die casting、Bolt- Steel、Dyed black、S.Tr: Paint black、Paint orange、Paint silver

Order NO. 鋅壓鑄(ZD)	A	B	C	D	E	F
A-403-A(手柄長度 handle length)	45	M4	8	10	24.5	35
-B(內螺紋 Internal thread)	45	M5	8	10	24.5	35
-顏色(Color)	45	M6	8	10	24.5	35
(表面顏色 Surfaced color)	63	M6	10	13.5	31	45
	63	M8	10	13.5	31	45
	78	M8	14	16	36	55
	78	M10	14	16	36	55
	92	M10	17	19	43	65
	92	M12	17	19	43	65
	108	M12	22	23	50.5	76
	108	M14	22	23	50.5	76
	108	M16	22	23	50.5	76

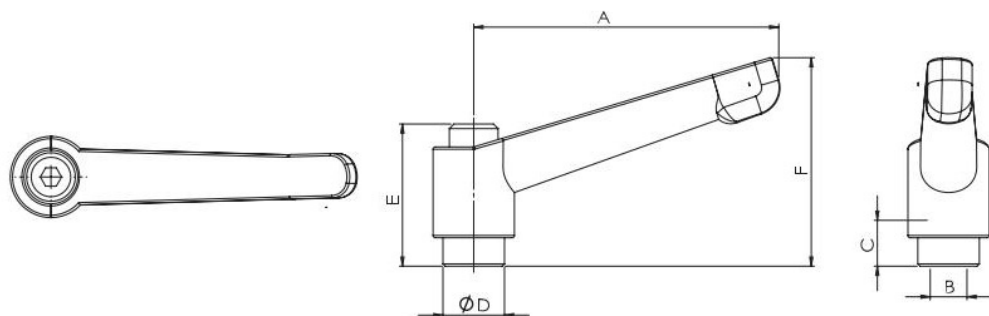
(mm)



鋅壓鑄把手、鋼鐵、染黑軸、表面處理:黑色烤漆、橘色烤漆、銀色烤漆
 Handle-Zinc die casting、Bolt- Steel、Dyed black、S.Tr: Paint black、Paint orange、Paint silver

Order NO. 鋅壓鑄(ZD)	A	B	C								D	E	F		
A-404-A(手柄長度 handle length)	40	M5	10	15	20	25	30	-	-	-	-	10	25	34	
-B(外螺紋 External thread)	40	M6	10	-	20	-	30	-	40	-	50	-	10	25	34
-顏色(Color)	40	M8	10	-	20	-	30	-	40	-	50	-	10	25	34
(表面顏色 Surfaced color)	45	M5	10	-	20	25	30	-	-	-	-	-	10	24.5	35
-C(螺紋長度 Thread length)	45	M6	10	-	20	-	30	40	50	-	-	-	10	24.5	35
	45	M8	10	-	20	30	40	50	-	-	-	-	10	24.5	35
	63	M8	10	-	20	-	30	40	50	-	-	-	13.5	31	45
	63	M10	10	-	20	-	30	40	50	-	-	-	13.5	31	45
	78	M8	10	-	20	-	30	40	50	-	-	-	16	36	55
	78	M10	10	-	20	-	30	40	50	-	-	-	16	36	55
	78	M12	10	-	20	30	40	50	-	-	-	-	16	36	55
	92	M10	-	-	20	-	30	40	50	60	-	-	19	43	65
	92	M12	-	-	20	-	30	40	50	60	-	-	19	43	65
	108	M12	-	-	-	-	30	40	50	60	70	-	23	50.5	76
	108	M16	-	-	-	-	-	40	50	60	70	80	23	50.5	76

(mm)

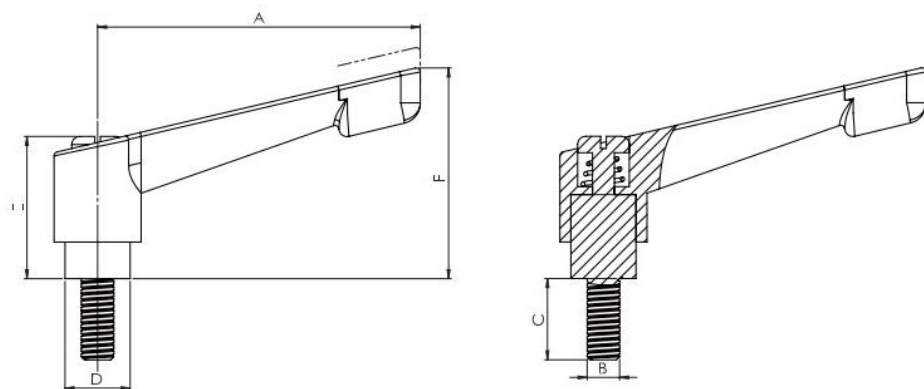


鋅壓鑄把手、不鏽鋼螺栓、表面處理:黑色烤漆、橘色烤漆、銀色烤漆

Handle-Zinc die casting、Bolt- Stainless steel、S.Tr: Paint black、Paint orange、Paint silver

Order NO. 鋅壓鑄(ZD)	A	B	C	D	E	F
AS-405-A(手柄長度 Handle length) -B(內螺紋 Internal thread) -顏色(Color) (表面顏色 Surfaced color)	45	M4	8	10	24.5	35
	45	M5	8	10	24.5	35
	45	M6	8	10	24.5	35
	63	M6	10	13.5	31	45
	63	M8	10	13.5	31	45
	78	M8	14	16	36	55
	78	M10	14	16	36	55
	92	M10	14	16	36	55
	92	M12	17	19	43	65
	108	M12	22	23	50.5	76
108	M16	22	23	50.5	76	

(mm)



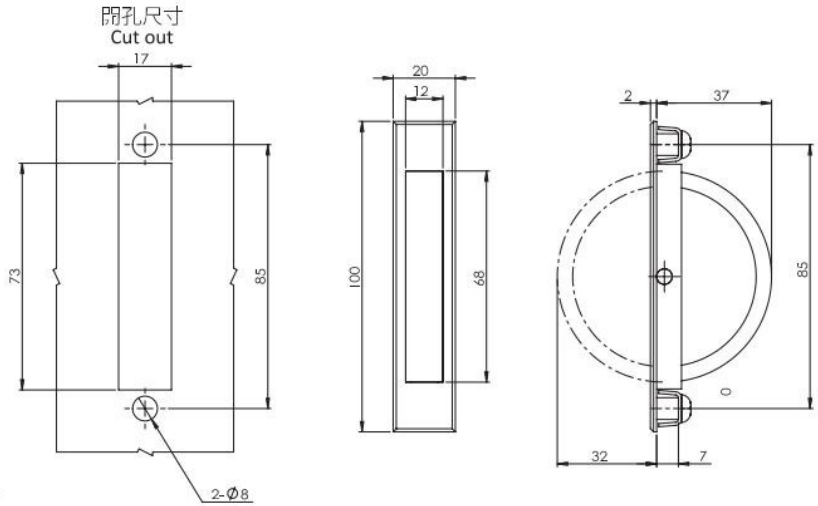
鋅壓鑄把手、不鏽鋼螺牙、表面處理:黑色烤漆、橘色烤漆、銀色烤漆

Handle-Zinc die casting、Screw-Stainless steel、S.Tr: Paint black、Paint orange、Paint silver

Order NO. 鋅壓鑄(ZD)	A	B	C										D	E	F
AS-406-A(手柄長度 Handle length) -B(外螺紋 External thread) -顏色(Color) (表面顏色 Surfaced color) -C(螺紋長度 Thread length)	45	M5	10	15	20	25	30	-	-	-	-	-	10	24.5	35
	45	M6	10	-	20	-	30	40	50	-	-	-	10	24.5	35
	63	M6	10	-	20	-	30	40	50	-	-	-	13.5	31	45
	63	M8	10	-	20	-	30	40	50	-	-	-	13.5	31	45
	78	M8	10	-	20	-	30	40	50	-	-	-	16	36	55
	78	M10	10	-	20	-	30	40	50	-	-	-	16	36	55
	92	M10	-	-	20	-	30	40	50	60	-	-	19	43	65
	92	M12	-	-	20	-	30	40	50	60	-	-	19	43	65
	108	M12	-	-	-	-	30	40	50	60	70	-	23	50.5	76
	108	M16	-	-	-	-	40	50	60	70	80	23	50.5	76	

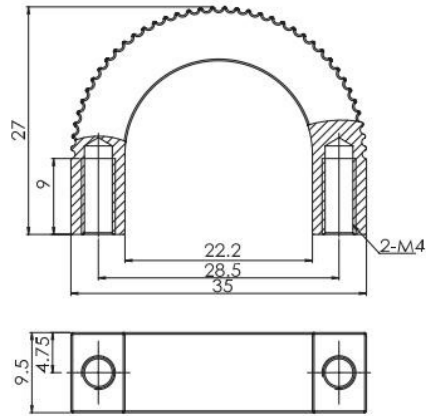
(mm)





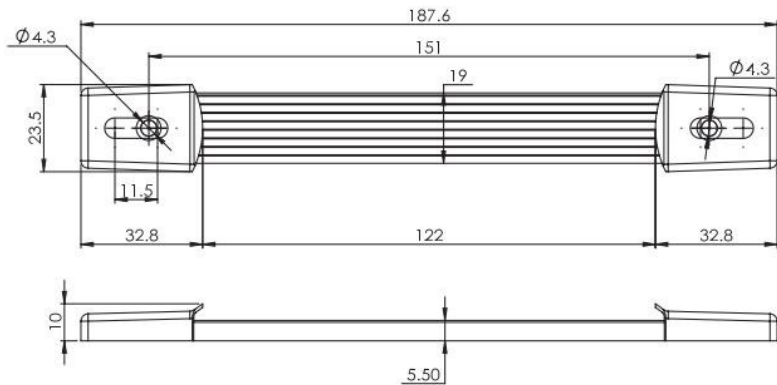
鋅合金
Zinc Alloy

A-835



鋁合金、烤漆霧黑
Aluminum Alloy、Black coated

A-B5



不銹鋼座·塑膠(PVC)取手·補強板SK7鋼鐵
Holder-Stainless steel·Handle-PVC wrapped around SK7 steel sheet

取手座: SUS

取手座: 黑色 Black

A-326

A-326-EC

(mm)

力卡實業有限公司
LEEKA INDUSTRIAL CO.,LTD.

407台中市西屯區工業區三十六路21-1號
No.21-1, 36TH RD., TAICHUNG INDUSTRIAL PARK,
TAICHUNG 407, TAIWAN, R.O.C.

TEL : +886-4-2359 8798
FAX : +886-4-2359 8762
VAT number : 24579163
E-mail : info@leeka.com.tw



www.leeka.com.tw 

WELCOME TO VISIT OUR WEBSITE

